

EOD6C71X vgradna pečica



SteamBake, your at-home bakery

By adding steam, you can create mouth-watering muffins and perfect pies at home with the 600 SteamBake Oven. You can enjoy roasted chicken, lasagna and fish with even cooking results. For crunchy crusts and fluffy insides at the touch of a



SteamBake for delicious baking

SteamBake lets you create bakery-style results in your own home, at the push of a button. Humidity allows dough to rise up fully, creating deliciously soft insides, while dry heat creates rich, glossy crusts. Enjoy not only delicious bakes, but even roasted chicken and



Precision coking with our Food Sensor

Thanks to our Food Sensor, you can achieve perfect results every time. It lets you monitor the cooking process by measuring the core temperature of the food. It will even let you know when your food has been cooked to the desired temperature and stop

Prednosti izdelka:

- Catalytic Cleaning absorbs grease and self-cleans at 250°C.
- Our LED timer display suggests temperatures based on selected cooking functions.
- The Fast Heat Up function pre-heats the oven quicker than standard ovens.

Značilnosti:

- Vgradne pečice
- Večfunkcijska pečica s kroznim grelcem
- Možnost pečenja na 3 nivojih
- Funkcija hitrega segrevanja
- Sonda za meso
- Samodejno predlaganje temperature
- Elektronski nadzor temperature
- Funkcija samodejnega zaklepanja
- Varovalo za otroke
- Kazalnik preostale toplote
- Vgrezni gumbi
- Halogenska luč pri pečici
- Katalitične obloge, za čisto pečico
- Enostavno čiščenje vrat
- Ventilator za hlajenje
- Priloženi pekači s pečico: 1 pekač za sladice iz sivega emajla, 1 globoki pekač iz sivega emajla
- Število rešetk v pečici: 1 kromirana rešetka
- http://services.electrolux-medialibrary.com/118ed4c0ee6546f4a7684c7fef8c985aNrZmYkM861d1f/view/WS_TN/PSEBPL15PC002027.png
- http://services.electrolux-medialibrary.com/118ed4c0ee6546f4a7684c7fef8c985aNrZmYkM861d1f/view/WS_TN/PSEBPL15PC002004.png
- http://services.electrolux-medialibrary.com/118ed4c0ee6546f4a7684c7fef8c985aNrZmYkM861d1f/view/WS_TN/PSEBPL15PC002009.png
- http://services.electrolux-medialibrary.com/118ed4c0ee6546f4a7684c7fef8c985aNrZmYkM861d1f/view/WS_TN/PSEBPL15PC002010.png

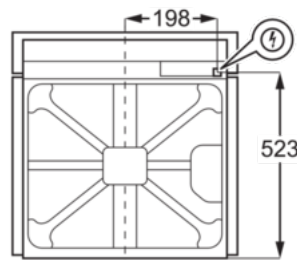
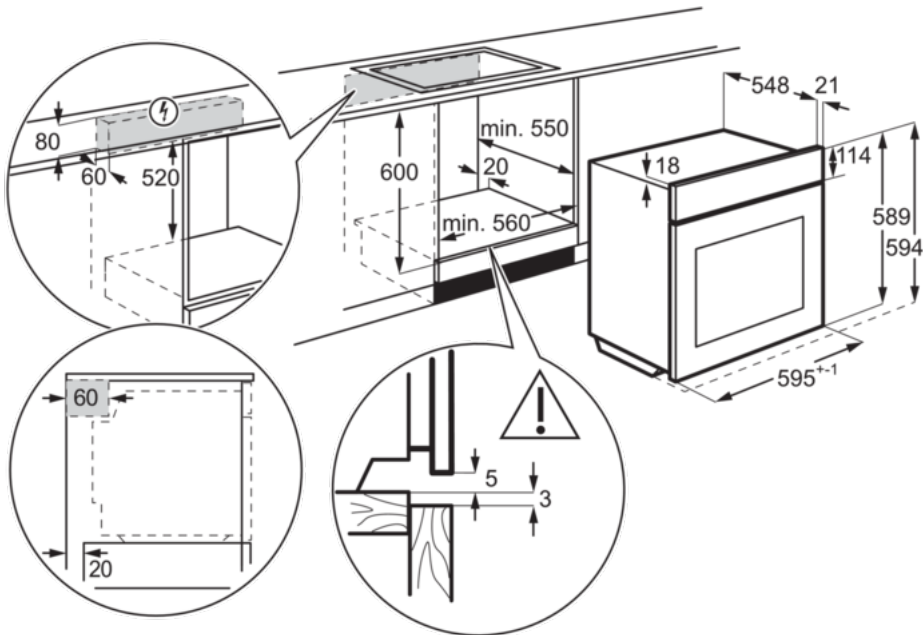
Tehnične značilnosti:

- Čiščenje pečice : katalitične obloge
- Uporabna prostornina notranjosti (l) : 72
- Razred energijske učinkovitosti : A+
- Razpon temperature : 30°C - 300°C
- Glasnost dB(A) : 45
- Zunanje mere (VxŠxG) v mm : 594x596x569
- Vključeni dodatki : enonivojska izvlečna vodila, variabilna
- Notranjost : Sivi emajl
- Vgradne mere (mm) : 600x560x550
- Skupna priključna moč (W) : 3480
- Moč (V) : 220-240
- Dolžina kabla (m) : 1,6
- Barva : nerjaveče jeklo
- Poraba energije pri običajnem načinu kroženja zraka (kWh/cikel) : 0.93
- PNC koda : 949499550
- Product Partner Code : ER

Opis aparata:

EOD6C71X vgradna pečica

PSGBOV180DE00006



PSGBOV180DE00013

